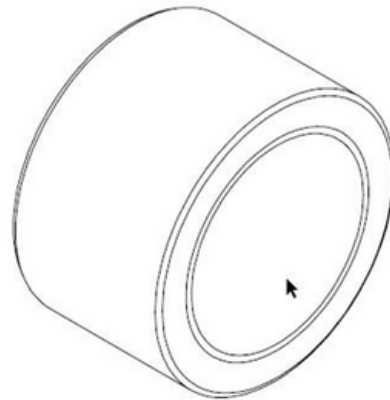
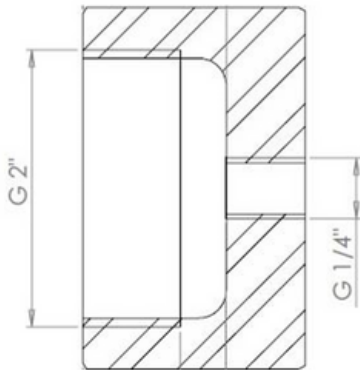


# Technical Datasheet

**INERTECH™** Gaseous Fire Suppression System



## Manifold DN50 end cap with 1/4" DPS connection - NF335650A



End cap size and connection threads

The end cap allows for the connection of the discharge pressure switch by a flexible hose.

### Properties

Size and thread manifold side	2" BSPP 3000LB Screwed
End Cap Size and thread discharge pressure switch side	1/4" BSPP for DSP hose
Material	ASTM/ASME SA105 Hot Dip Galvanised
Reference Standard	ASME B16.11 NACE MR.01.75